

Abstract

The syn1588® Dual NIC is available in several different configurations. They differ in the type of the oscillator and cable connector options. This application note describes the available options in detail..

Introduction

The syn1588® Dual NIC is delivered with a large (standard height) PCI bracket; a short (reduced height) PCI bracket is included as well. The following pictures show all available options briefly as well as the related ordering codes.

Oscillator Options

In order to enable our customers to trade off costs versus accuracy Oregano Systems offers it's syn1588® Dual NIC cards with two different oscillator options.

- standard TCXO (1,5 ppm, default option)
- high-stability OCXO (better than 0,5 ppm)

The default configuration of the syn1588® Dual NIC cards include the cost effective option "standard TCXO".

Cable Options

Oregano Systems offers it's syn1588® Dual NIC cards with two different cable options.

- Plug (option free of charge)

Oregano Systems supplies a cable (length approx. 300 mm) that can be connected on one side to X5, X6 and X7 on the syn1588® Dual NIC (MMCX connector). This cable offers a SMA plug on the other side enabling directly connecting a SMA connector in your system.

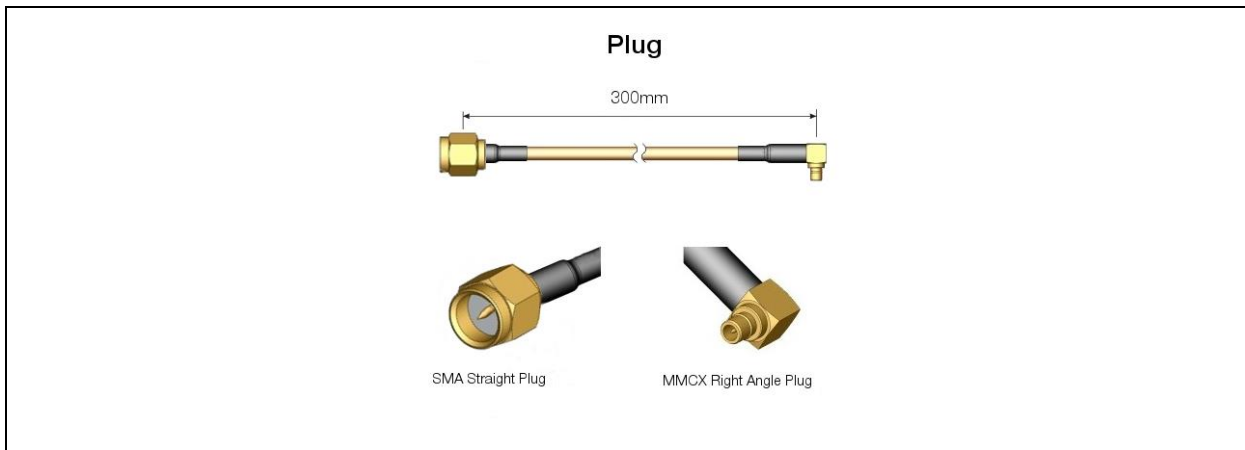


Figure 1. SMA cable for Plug option

- ExtClk (surcharge option)
Another option is the external clock input (option ExtClk) to drive the syn1588[®] hardware clock directly from this external signal.

Caution

Please note that the ExtClk option implies a large PCI bracket for the second SMA connector (external clock input).



Figure 2. SMA cable for ExtClk option

syn1588[®] Dual NIC

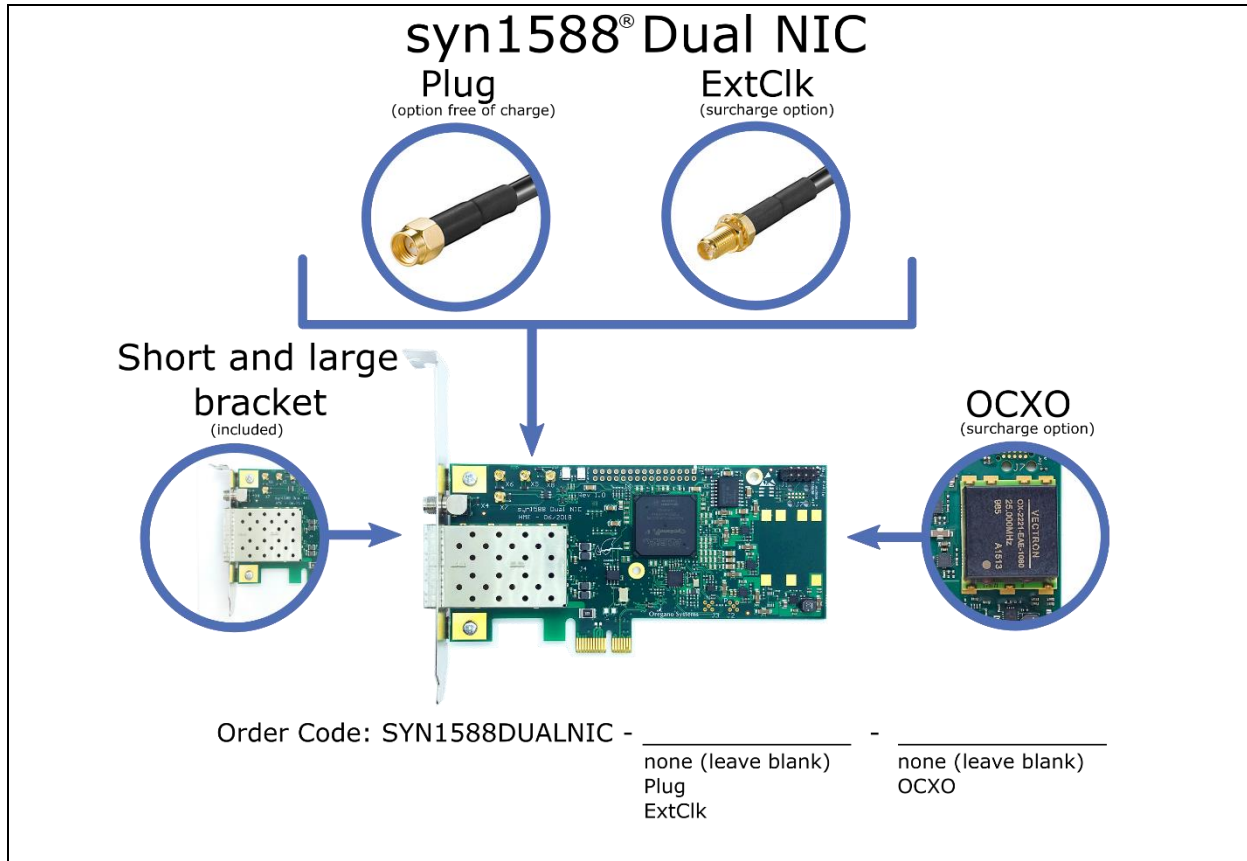


Figure 3. syn1588[®] Dual NIC



Franzosengraben 8
A-1030 Vienna
Austria
<http://oregano.at>
contact@oregano.at

Copyright © 2020

Oregano Systems – Design & Consulting GmbH

ALL RIGHTS RESERVED.

Oregano Systems does not assume any liability arising out of the application or use of any product described or shown herein nor does it convey any license under its patents, copyrights, or any rights of others.

Licenses or any other rights such as, but not limited to, patents, utility models, trademarks or tradenames, are neither granted nor conveyed by this document, nor does this document constitute any obligation of the disclosing party to grant or convey such rights to the receiving party.

Oregano Systems reserves the right to make changes, at any time without notice, in order to improve reliability, function or design. Oregano Systems will not assume responsibility for the use of any circuitry described herein.

All trademarks used in this document are the property of their respective owners.